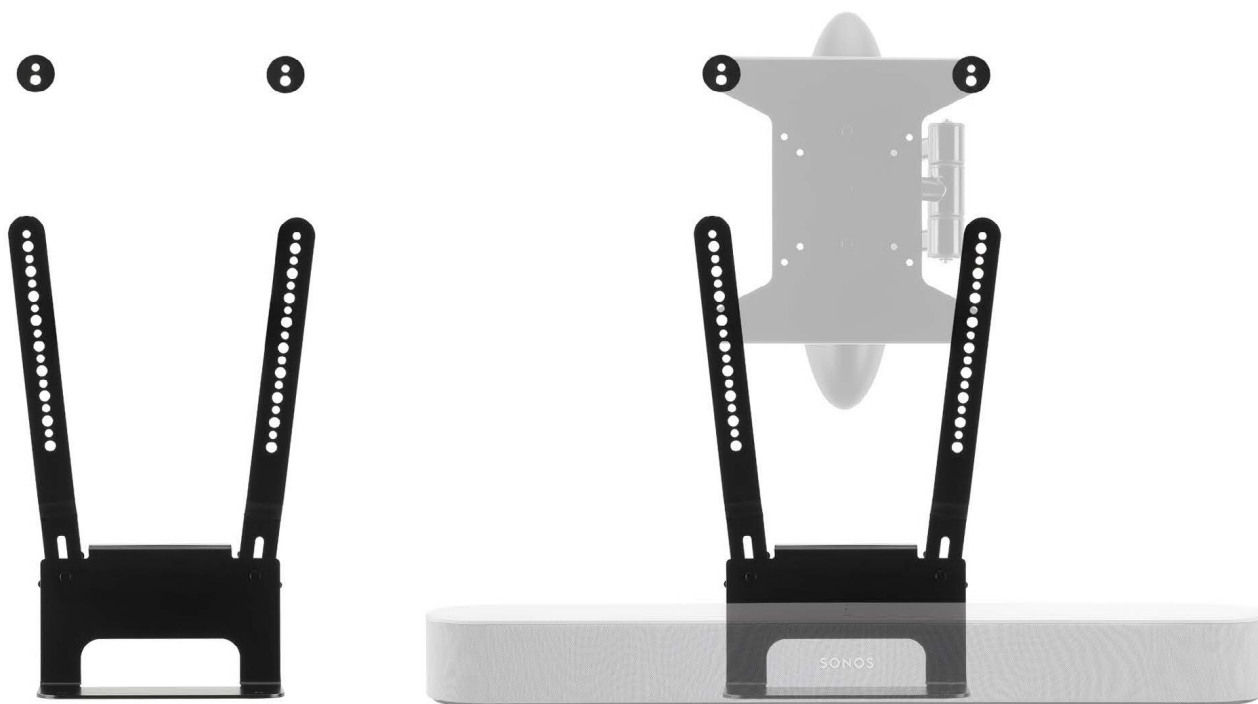
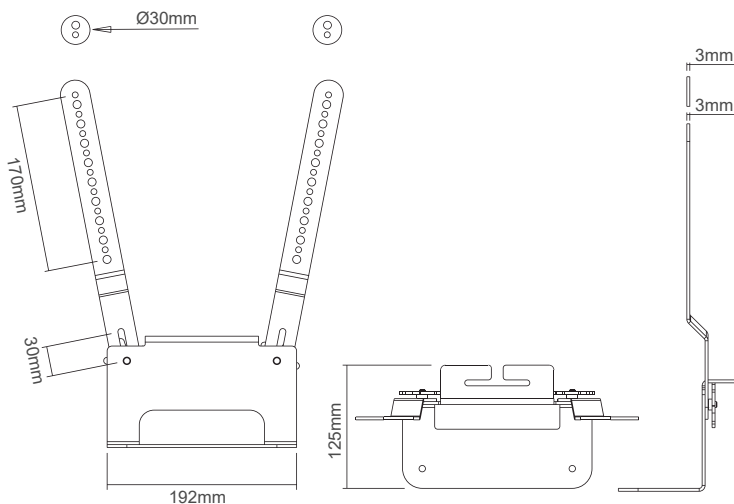


## B-TVMA TV Mount Attachment for Sonos Beam



Designed to easily fit on to a full-motion, TV wall mount, this Flexson mount securely holds your Beam in place, while allowing it to move with the screen – meaning optimum performance with music, movies and more. The Flexson TV Mount Attachment for Sonos Beam is easy to fit to your existing flatscreen wall mount. It's the perfect partner for TVs from 32-65in – just add a Sonos Beam for wonderfully unified sound and vision. Like all Flexson products, the TV Mount Attachment for Sonos Beam is precision engineered in the UK, easy to fit and comes with all the fixings you need.

- Allows a Sonos Beam to be added to an existing TV wall mount
- Bespoke design securely holds the Sonos Beam
- Allows you to fix the Sonos Beam to any existing TV Mount
- Sonos Beam moves with your TV when using a full-motion mount
- Vertical and horizontal adjustment allows perfect alignment with screen
- Precision engineered. Quick and easy to fit
- Suitable for 32" to 65" TVs
- VESA compatibility from 100 x 100 up to 400 x 400
- High grade-steel construction
- Designed and manufactured in the UK



	Black			
Product Code	FLXBTV1021			
UPC Number	706352961111			
UK, European and US (SRP)	£79.99	€99.99	\$99.99	
Product Specifications	Height	Width	Depth	Weight
Product Size (mm)	Variable	192mm	195mm	-
Carton Dimensions (mm)	333mm	125mm	130mm	1.35kg
Carton Contents	1 x Wall Bracket and Instructions			
Country of Manufacture	UK	Outer Carton Quantity	4	