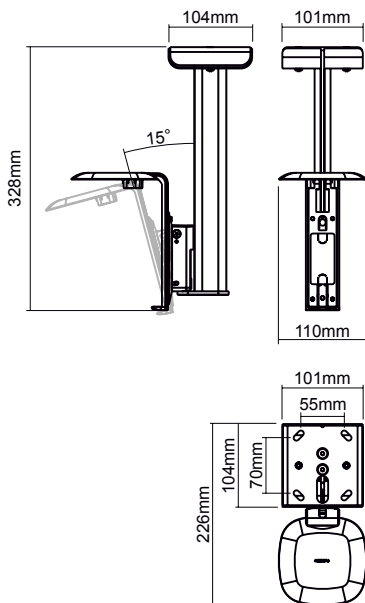


S1-CM FLEXSON CEILING MOUNT FOR SONOS ONE OR PLAY:1

The Flexson Ceiling Mount for Sonos One and PLAY:1 allows you to hang your speaker from the ceiling in the ideal place to sound - and look - great. This new, improved design gives you yet more flexibility and functionality with clever cable routing to the ceiling. It's ideal for commercial installs in bars, restaurants and shops, as well as for home use.

The new Flexson ceiling mount has a unique tilting mechanism, as well as the ability to swivel left or right, so you can perfectly angle your sound. Able to tilt 15 degrees down, swivels 80 degrees (40 degrees right & 40 degrees left). The bracket also allows you to hang the Sonos One or PLAY:1 upside down, so you can access on-speaker controls – including the Sonos One's microphone for Alexa voice commands - even when it's mounted on the ceiling.

- Holds a single Sonos One or Sonos PLAY:1 speaker 30cm below ceiling
- Speaker can be inverted for access to controls, if required
- Tilt 15° down, swivels 80° (40° right, 40° left)
- Cable routing to ceiling
- Suitable for use with either Sonos One or Sonos PLAY:1 speakers
- High-quality build, finished in matt white
- Designed and made in UK



Product Code	FLXS1CM1011			
UPC Number	713541217645			
UK, European and US (SRP)	£99.99	€139.99	\$149.99	
Millimetres / Kilograms	Height	Width	Depth	Weight
Product Size	327	226	110	1.08
Millimetres / Kilograms	Length	Width	Height	Weight
Retail Carton	365	108	120	1.4
Carton Contents	1 x Ceiling Mount			
Outer Carton Quantity	??	Country of Manufacture	UK	