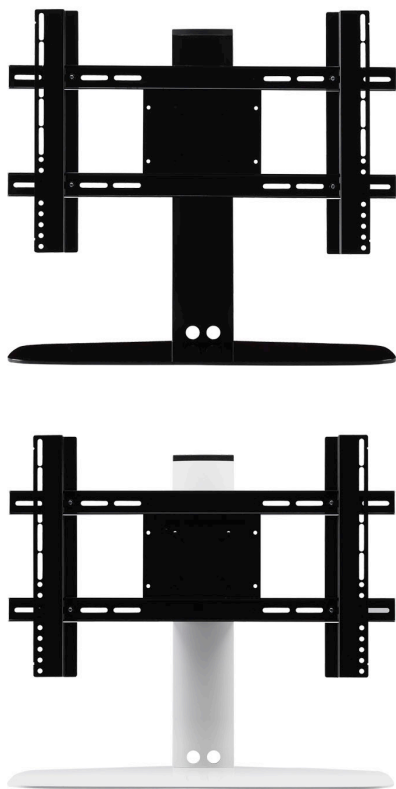


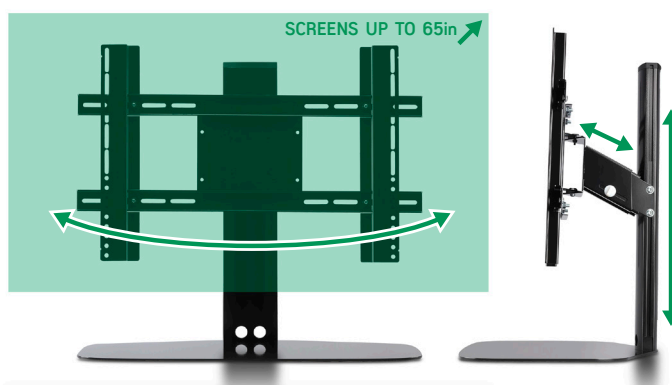
PB-ATVS FLEXSON ADJUSTABLE TV STAND FOR SONOS PLAYBASE



This premium stand allows you to adjust the height and depth of your flatscreen TV, so it seamlessly fits the SONOS PLAYBASE. With swivel functionality, a wide range of height adjustments available, and a design that suits sitting in both free space and in corners, the Flexson Adjustable TV Stand is the most flexible option you can buy. It's also the most sturdy: its aluminium and high-grade steel design is able to take TVs measuring up to 65in and weighing up to 45Kg.

The Flexson Adjustable TV Stand is easy to use – all fixings and tools are included in the kit, and there's integrated, customisable cable management to keep things neat and tidy.

- Flexson Adjustable TV Stand for the SONOS PLAYBASE, with swivel functionality
- Extruded Aluminium and High-Grade Steel Construction
- Black and white versions to match SONOS PLAYBASE
- Securely holds up to 65in TVs, weighing up to 45Kg
- VESA Compatibility up to 800 x 400
- Great range of height adjustment – up to 400mm in any position
TV Depth adjustment to improve aesthetics or fit into corner
- Integral customisable Cable Management
- All TV fixings and tools included in the kit
- Designed and manufactured in the UK



	White:	Black:
PRODUCT CODE:	FLXPBTVST1011	FLXPBTVST1021
UPC NUMBER:	713541217409	713541217416
CARTON DIMENSIONS (WxHxD MM): 455 x 165 x 766		
CARTON WEIGHT: 21.6kg		
CARTON CONTENTS: 1 x stand, fixings and instructions		
OUTER CARTON QUANTITY: x 1		
UK, EUROPEAN & US (SRP):	£229.99	€269.99
		\$269.99