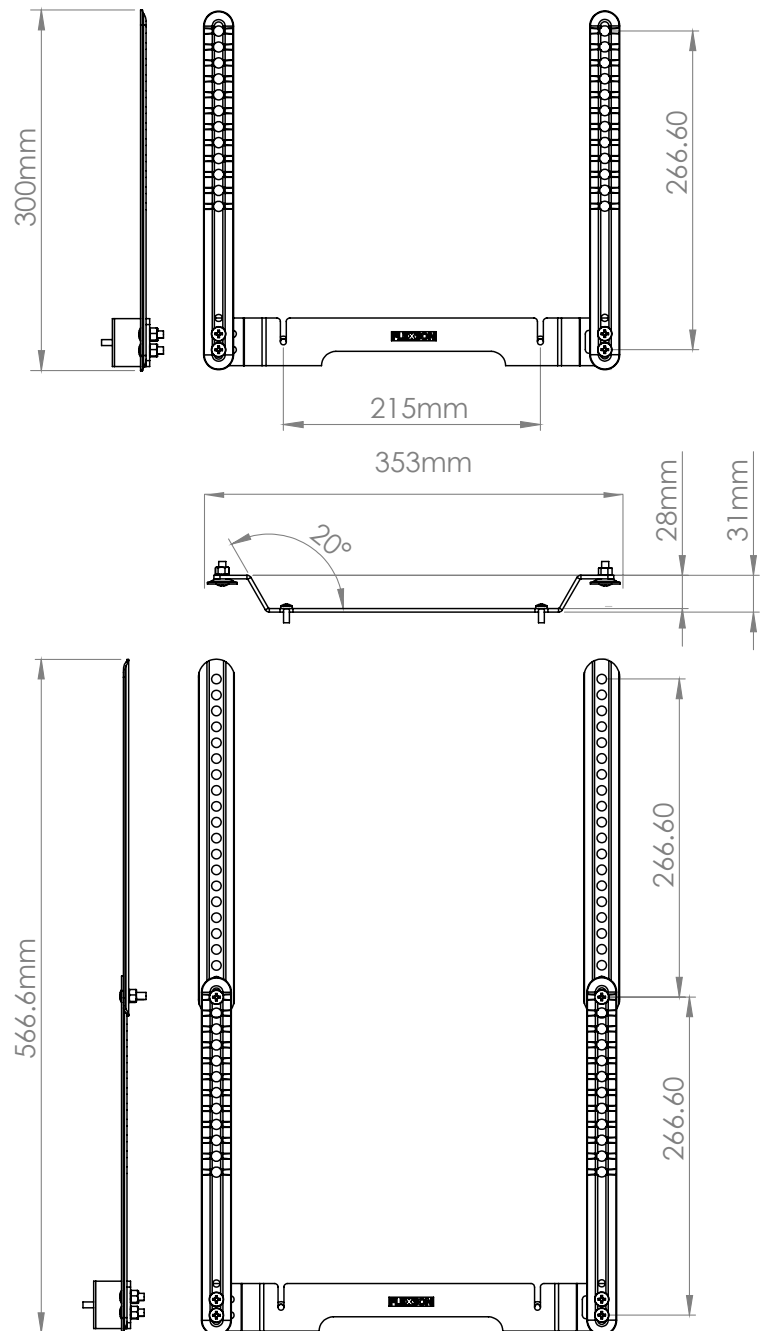


SRAYTVMA **TV Mount Attachment for Sonos Ray**



The Flexson TV Mount for Sonos Ray allows you to position the soundbar anywhere on the wall. Featuring a 30mm step design, the soundbar is positioned just in front of the TV to optimise the full range of sound, while Flexson's coveted cable management system chases cables straight through a non-intrusive hole and into the wall for a tidy installation. This mount is bespoke to suit the Sonos Ray and is precision engineered from High Grade Steel. The Flexson Wall Mount has multi-point fixing points and a one-part design for easy mounting. By requiring less parts, it also helps to reduce package waste.

- Allows you to attach the Sonos Ray securely to any existing TV wall mount
- Bespoke, easy to fit design that holds the Sonos Ray securely
- Sonos Ray moves with your TV when using a full-motion mount
- Vertical and horizontal adjustment allows perfect alignment with screen
- 30mm Step Design to position the sound in front of the TV
- Includes extension arms for larger TVs
- VESA compatibility from 200x200 to 800x800
- Precision engineered from High Grade Steel
- Suitable for 40" to 80" TVs

Black				
Product Code	FLXSRAYTVMA1021			
EAN Number	5057964002446			
UK, European and US (SRP)	£39.99	€49.99	\$49.99	
Product Specifications	Height	Width	Depth	Weight
Product Size (mm)	96mm	239mm	349mm	11.2kg
Carton Dimensions (mm)	45mm	45mm	343mm	-
Carton Contents	1 x mount, 1 x instructions, 1 x xings			
Country of Manufacture	China	Outer Carton Quantity	10	